



Chair **Antares**

Armchair **Antares**

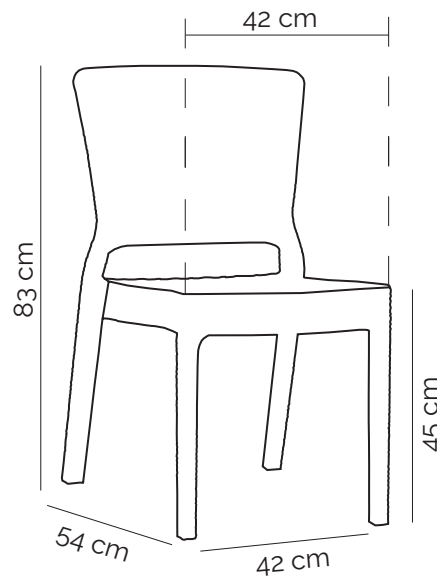
Chair **Antro**



Chair Antares



It is a teammate of Armchair ANTARES and we believe they complete a high class set together. Chair Antares is characterized by its comfort and 'embracing' seating. The elegance of its design which is suitable for interiors and exteriors. It's a stackable chair which helps you to gain place.



Crtn

Net : 4,00 kg

Gross : 4,75 kg

Loading Info (crtn)

20' DC : 272 pcs

40' DC : 544 pcs

40' HC : 636 pcs

90 cbm truck : 748 pcs

Packaging Details (crtn)

4 pcs - 53x75x110 - 0,44 cbm



Stack

Net : 4,00 kg

Gross : 4,25 kg

Loading Info (stack)

20' DC : 408 pcs

40' DC : 901 pcs

40' HC : 1007 pcs

90 cbm truck : 1160 pcs

Packaging Details (stack)

17 pcs - 90x65x230h cm - 1,35 cbm

19 pcs - 90x65x247h cm - 1,45 cbm



EN 581-1 : 2006

EN 1728 : 2000

EN 1022 : 2005



Discover
the potential



Ivory White
101010341



Cream
101010340



Wood
101010342



Black
101010341



Wenge
101010339

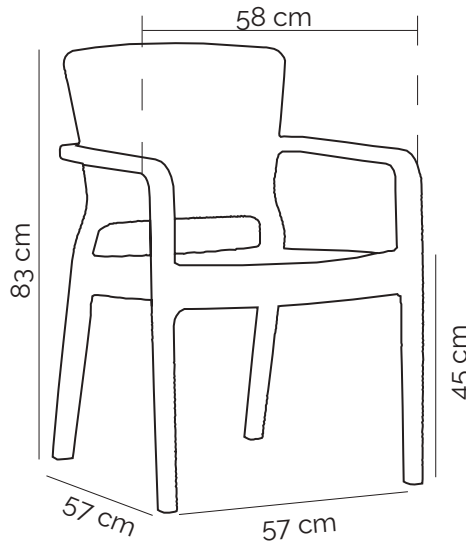


Coffee
101010338

Armchair Antares



Totally rattan looking armchair is produced from 100 % virgin, glassfibre charged polypropylene and offers you ergonomic and comfortable seating. Six different colours options ; Black, Wenge, Wood, Coffee, Cream and Ivory White. It's a stackable armchair which helps you to gain place. Robustness and strength has already approved by CATAS.



Crtn

Net : 4,75 kg
Gross : 5,75 kg

Loading Info (crtn)

20' DC : 252 pcs
40' DC : 536 pcs
40' HC : 592 pcs
90 cbm truck : 700 pcs

Packaging Details (crtn)

4 pcs - 59x72x110 - 0,47 cbm



Stack

Net : 4,75 kg
Gross : 5,05 kg

Loading Info (stack)

20' DC : 408 pcs
40' DC : 901 pcs
40' HC : 1007 pcs
90 cbm truck : 1160 pcs

Packaging Details (stack)

17 pcs - 95x65x230h cm - 1,42 cbm
19 pcs - 95x65x242h cm - 1,50 cbm



EN 581-1 : 2006
EN 1728 : 2000
EN 1022 : 2005

Turkey
Discover
the potential



Ivory White
101010157



Cream
101010197



Wood
101010192



Black
101010203



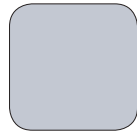
Wenge
101010156



Coffee
101010230

Cushion Options

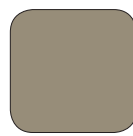
Waterproof Fabric (Outdoor)



White



Beige



L. Brown

Armchair Antares
Cushion



Chair Antares
Cushion

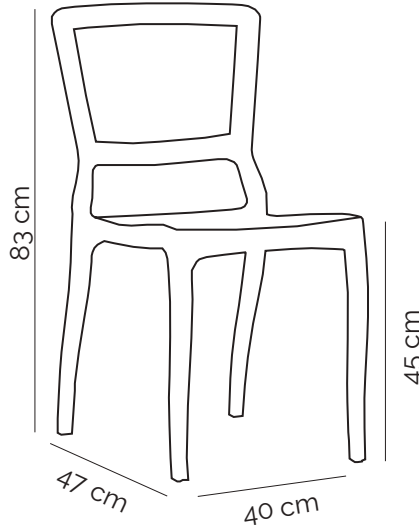


- Sponge thickness : 3 cm / 5 cm
- Zip
- Attaching with rope to leg

Chair Antaro



It is designed to combine rattan look with modern shape in a single chair. The result is impressive. It has a completely charming view with its 's-shaped' legs. It is stackable and useful for indoor and outdoor. You can furnish your locality with its six different colors; Black, Wenge, Wood, Coffee, Cream and Ivory White.



Crtn

Net : 3,20 kg

Gross : 4,00 kg

Loading Info (crtn)

20' DC : 372 pcs

40' DC : 748 pcs

40' HC : 872 pcs

90 cbm truck : 1032 pcs

Packaging Details (crtn)

4 pcs - 47x66x102 - 0,32 cbm



Stack

Net : 3,20 kg

Gross : 3,40 kg

Loading Info (stack)

20' DC : 550 pcs

40' DC : 1166 pcs

40' HC : 1325 pcs

90 cbm truck : 1624 pcs

Packaging Details (stack)

22 pcs - 98x65x210h cm - 1,34 cbm

25 pcs - 98x65x250h cm - 1,59 cbm



Black
101020334



Wenge
101020333



Coffee
101020335



Black
101020336



Wenge
101020332



Coffee
101020651



Savaş Plastik A.Ş.

Beysan Sanayi Sitesi Birlik Caddesi No:18

34524 Beylikdüzü, İstanbul, Türkiye



+ 90 850 346 65 65



+ 90 212 422 34 06



+ 90 212 422 46 25



www.tilia.com.tr



/tiliafurniture



/TiliaFurniture



info@tilia.com.tr



/tiliaContract



/TiliaFurniture

www.tilia.com.tr

